



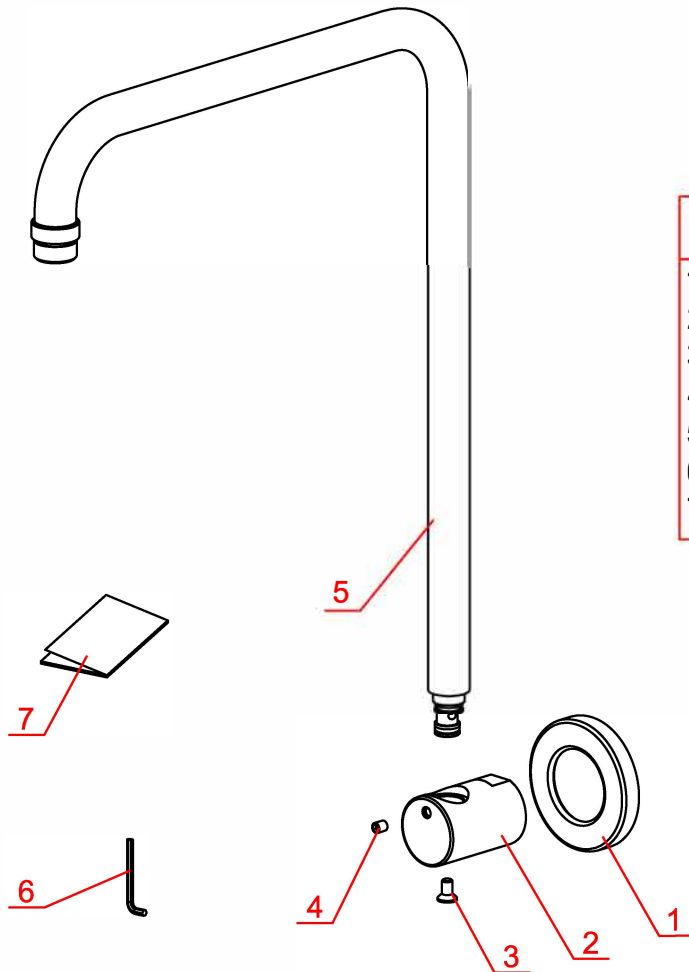
INSTALLATION INSTRUCTION SHOWER ARM

Model No.: **AB12GRW**

※ Components Checking

LIST OF THE STANDARD COMPONENTS :

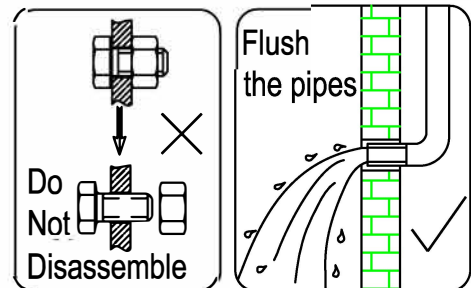
Please double-check the component list hereinafter and contact our company or our distributor for any unconformity.
 Remarks: 1. Without affecting their efficiency, components may be changed without further notice.
 2. Drawings for reference only. Product size & shape refer to actual product.



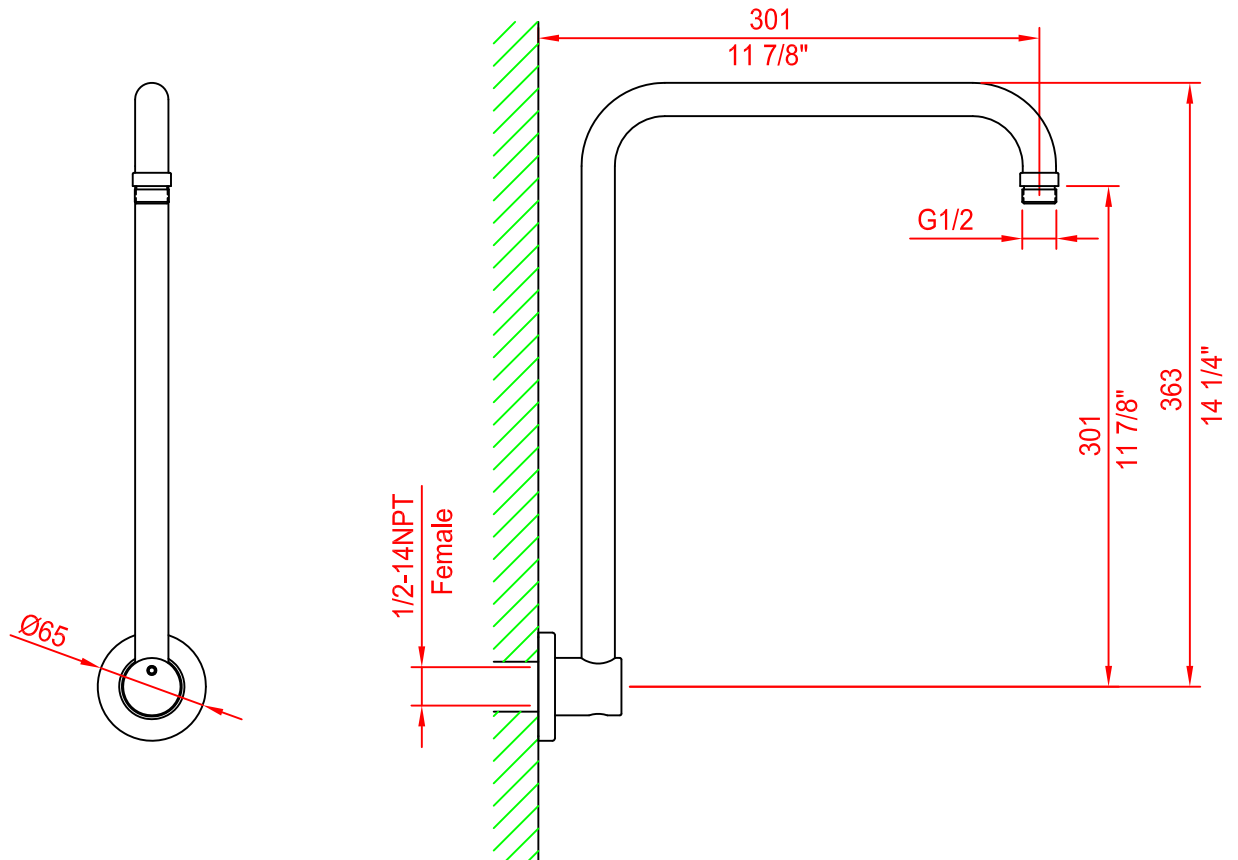
Component List	Qty.
1. Decorative plate	1
2. Base	1
3. Screw A	1
4. Screw B	1
5. Shower arm	1
6. Allen wrench	1
7. Instruction	1

※ Installation Instructions

- ☆ Do not disassemble the main body, as it has been installed & commissioned correctly & precisely before leaving the factory.
- ☆ To avoid the faucet from jamming, do flush the water pipe before installation.
- ☆ After installation, make sure every joint is safely sealed and that there is no leaking.
- ☆ The nominal water pressure is 0.05 -1.0Mpa (including cold & hot water pressure), suitable for water temperature : 4℃ - 90℃.
- ☆ Make sure to connect the hot/cold inlet pipe correctly : If standing in front, hot water pipe connecting to the left & cold water pipe connecting to the right.



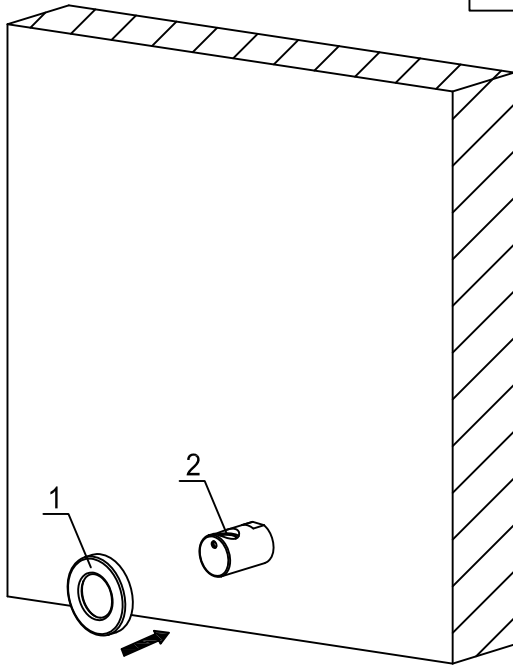
※ Dimension Drawing



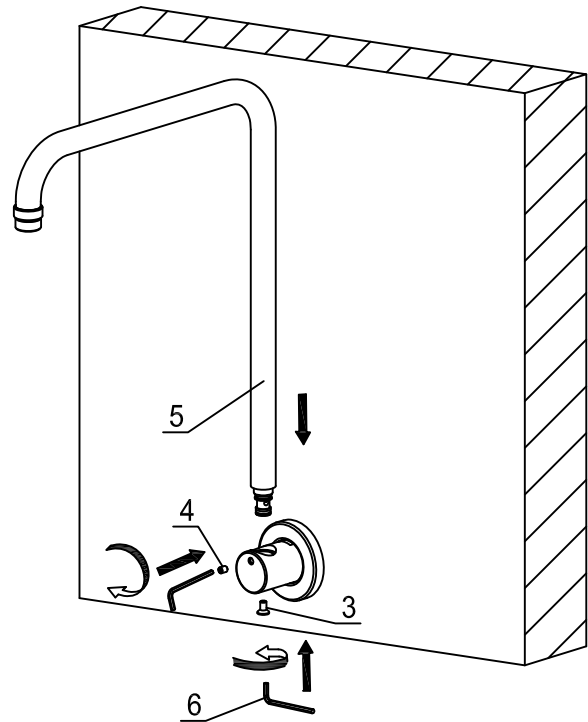
※ Installation Procedures

<p style="text-align: right;">1.</p>	<p style="text-align: right;">2.</p>
<p>1. Imbedded inlet pipes in the wall, and install a male connector in the wall at the appropriate height. Protrude out of the wall of connector around 12~15mm.</p>	<p>2. Twist sealing adhesive tape on the thread of male connector, screw the base(2) into the male connector, and adjust the direction of the base.</p>

3.



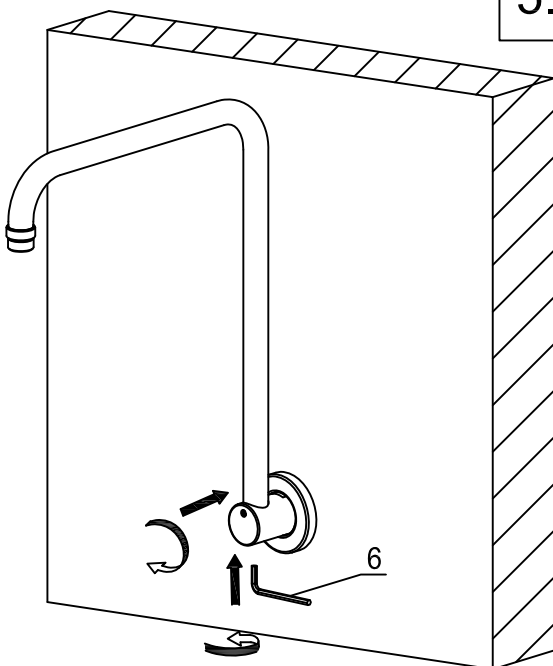
4.



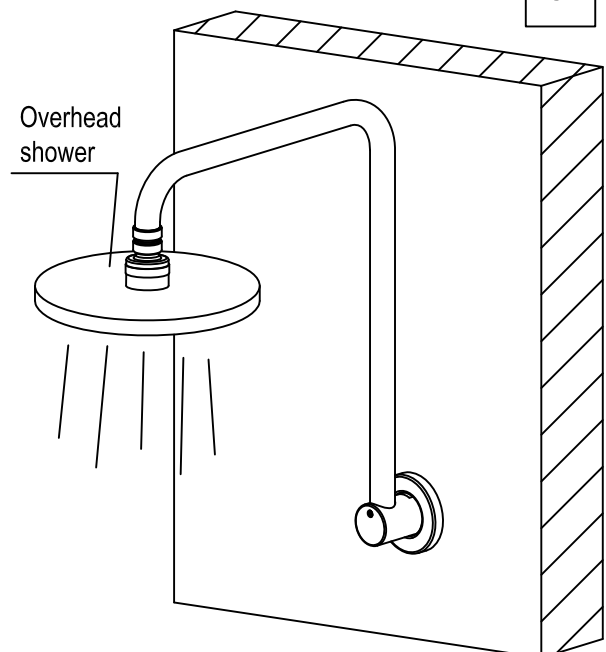
3. Push the decorative plate(1) into the base(2).

4. Put the shower arm(5) into the base, and fix the shower arm with the screw A(3) and the screw B(4).

5.



6.



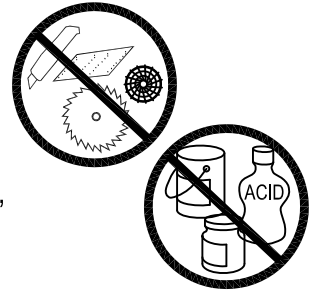
5. After adjusting the direction of the shower arm, tightening the screws with the Allen wrench.

6. Fix a overhead shower onto the shower arm, finally test the tightness of all the joints to finish.

※ Cleaning & Maintenance

☆ To keep the product clean, shining and in good condition, follow the steps as below:

1. To clean, flush with clean water and dry with a soft cloth.
2. If any dirt, clean with soft liquid or transparent glass detergent.
3. Do not use any abrasive cleaning products, such as scrubbing detergent, polisher, sand-cloth, paper tissue, or scrapper.
4. Do not use detergents or soap that contain acid or that are indissoluble.
5. Take the aerator off and clean it when necessary.



※ This installation instruction is only for your reference,
the final right to explain & to revise it belongs to us.